

lang structural engineering inc.

July 28, 2016

To Whom It May Concern

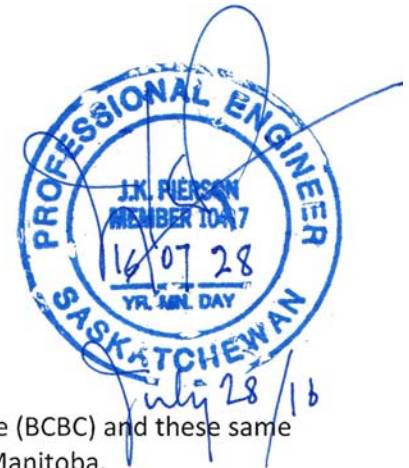
Re: Vista Railing Systems Inc.
Frameless Glass Railing- Top Mount and Fascia Mount



Dear Madam/Sir:

In January 2015, Intertek Testing Services NA Ltd. (Intertek) conducted a test program for the Vista Frameless Railing System provided by Vista Railing Systems Inc. Results of the test program show that the Vista Frameless Railing System is in compliance with the following requirements:

- 2015 National Building Code of Canada (NBC)
 - Section 4.1.5.14, Loads On Guards And Handrails
 - Section 9.8.8.3, Height of Guards
 - Section 9.8.8.5, Openings in Guards
 - Section 9.8.8.6, Design of Guards Not To Facilitate Climbing
- 2012 Ontario Building Code (OBC)
 - Section 4.1.5.14, Loads On Guards
 - Section 9.8.8.3, Height of Guards
 - Section 9.8.8.5, Openings in Guards
 - Section 9.8.8.6, Design of Guards Not to Facilitate Climbing



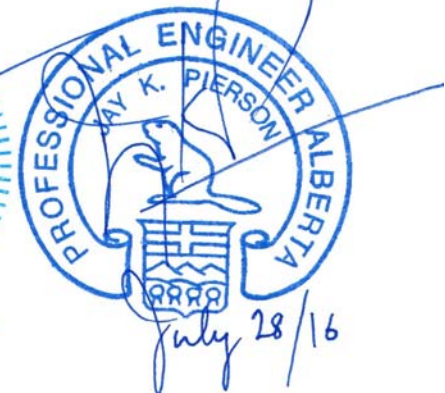
Identical requirements are provided in the 2012 British Columbia Building Code (BCBC) and these same requirements are applicable for the provinces of Alberta, Saskatchewan, and Manitoba.

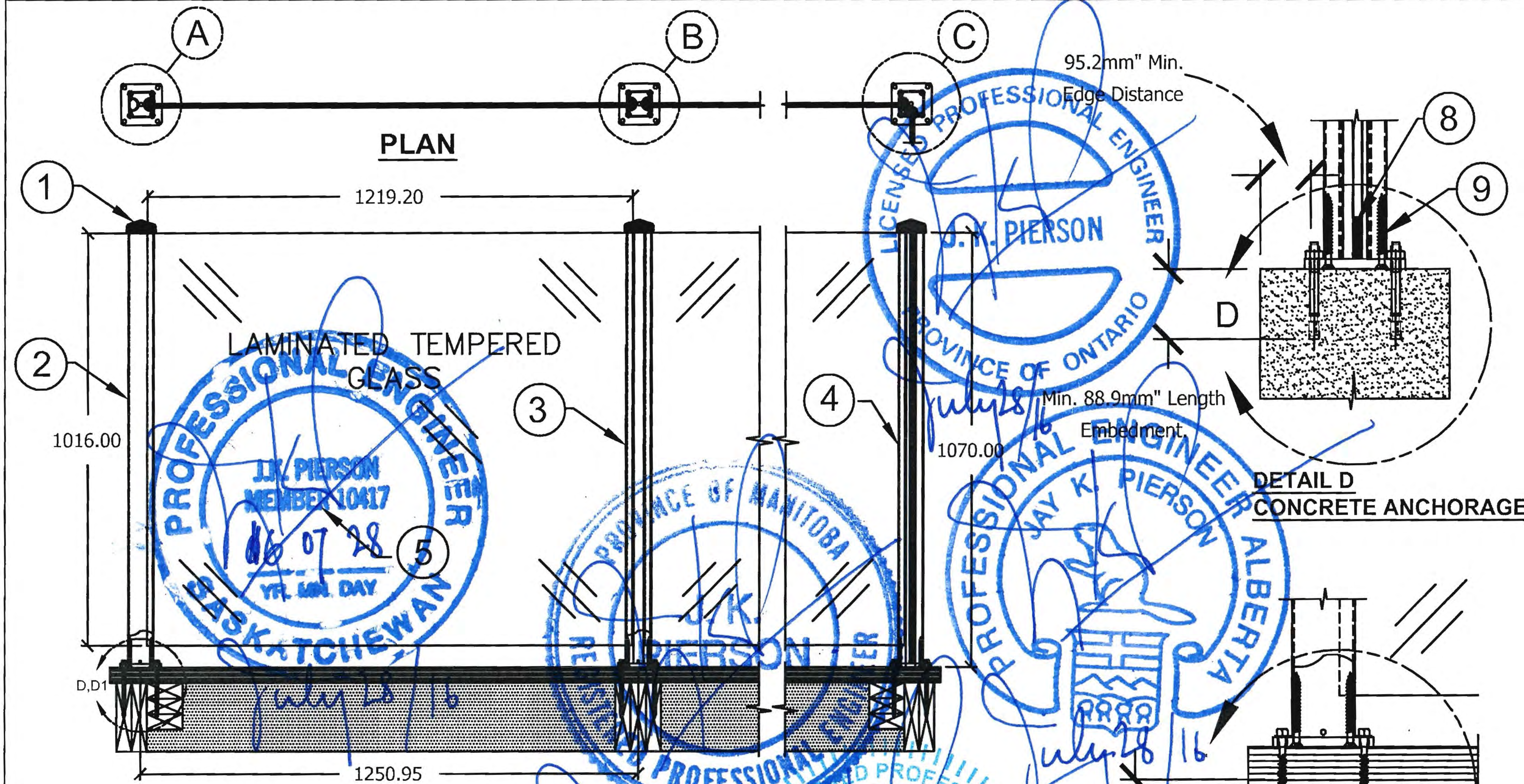
Furthermore, all fastener connections represented on the Vista Frameless Railing System Top Mount Connections and Fascia Mount Connections sealed drawings, dated July 28, 2016, are in compliance with the aforementioned building codes load requirements.

Additionally, the tempered glass specified and used as part of the Vista Frameless Railing System in residential home applications has been determined to be in conformance with Ontario MMAH Supplementary Standard SB-13, Glass in Guards, September 14, 2012.

Yours truly,
LANG STRUCTURAL ENGINEERING INC.

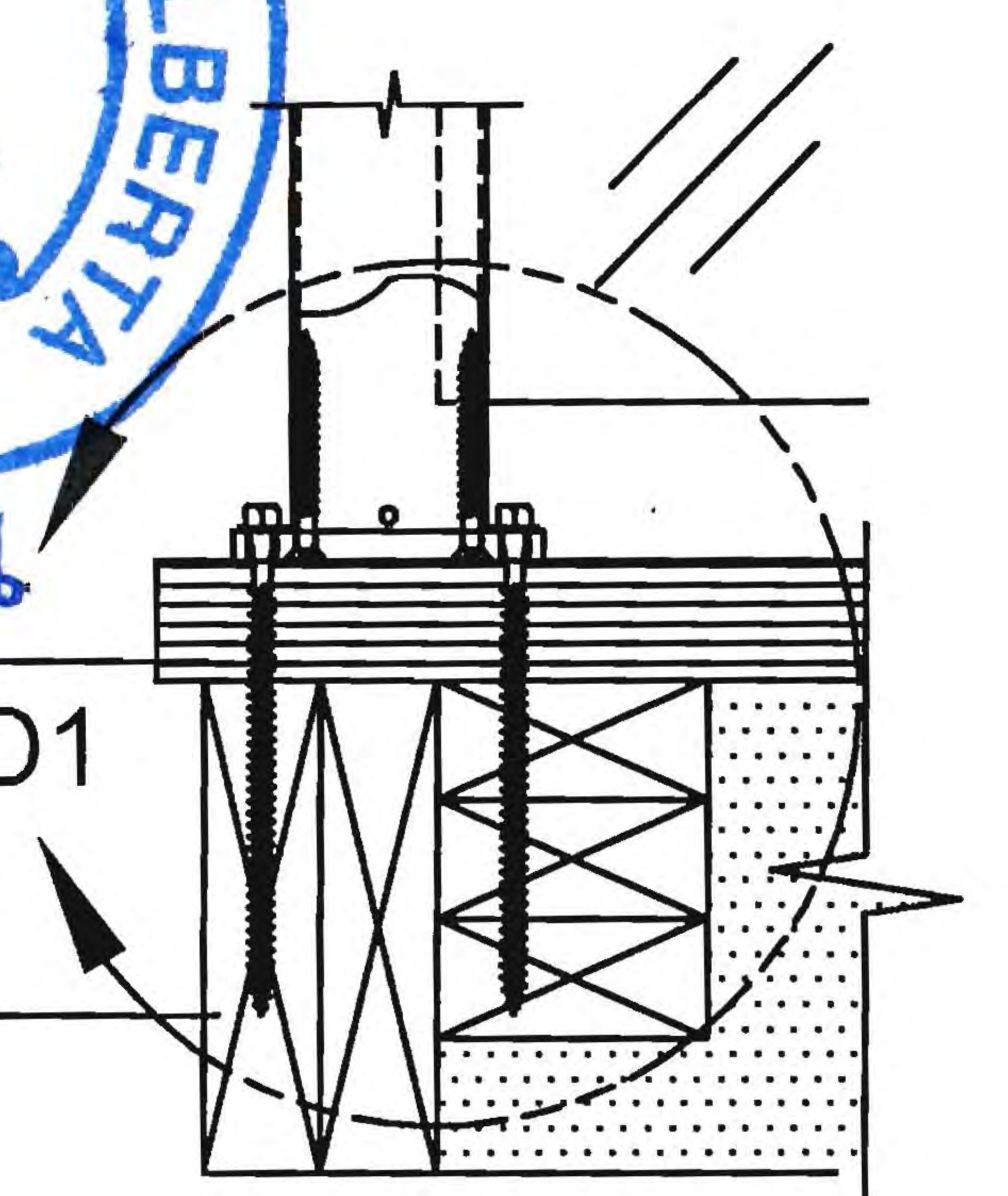
Jay K. Pierson, P.Eng.



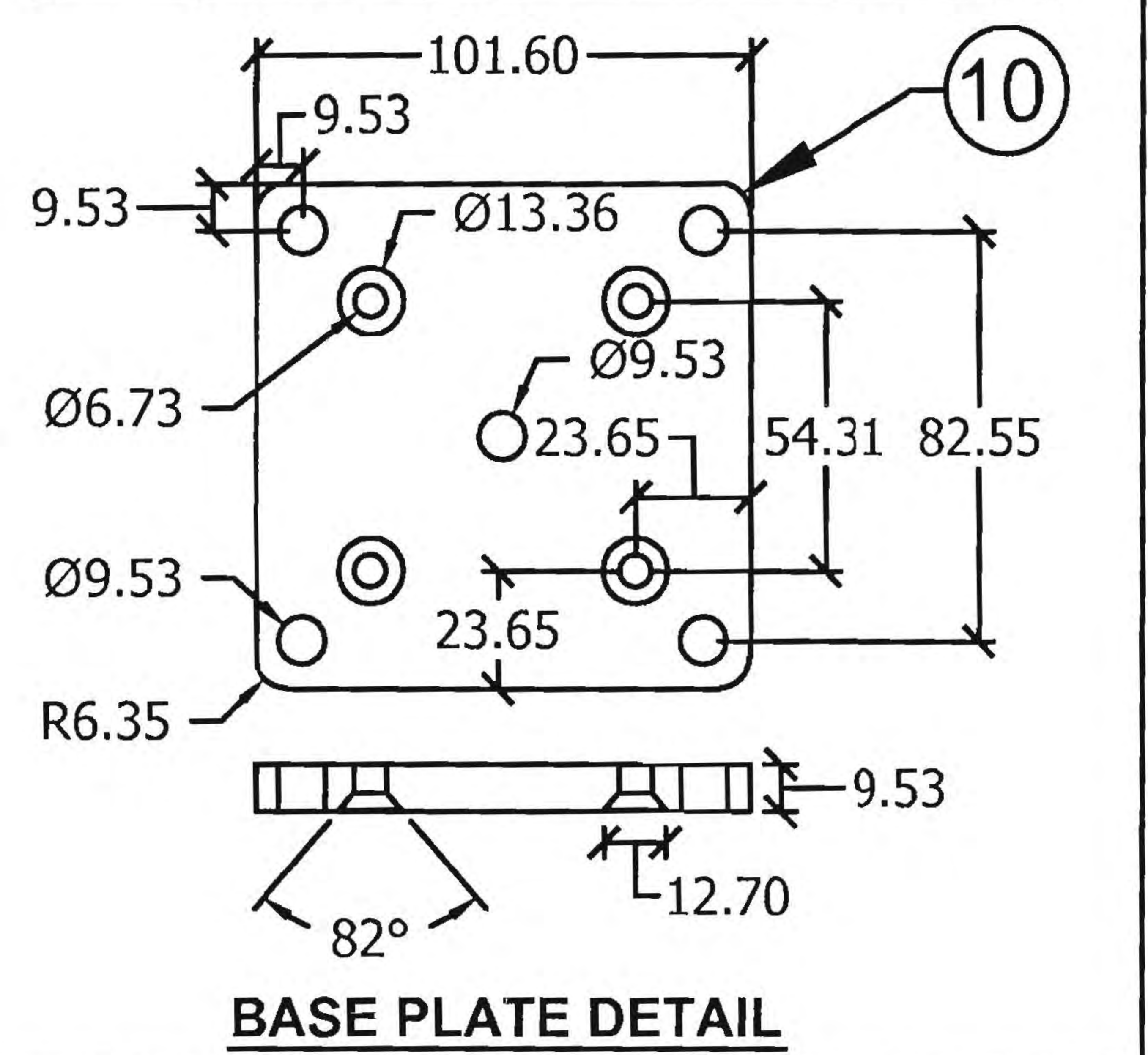


PARTS LIST	
ITEM	DESCRIPTION
1	POST CAP
2	2.5" SQ. FRAMELESS END POST
3	2.5" SQ. FRAMELESS LINE POST
4	2.5" SQ. FRAMELESS CORNER POST
5	10MM (3/8") LAMINATED TEMPERED GLASS
6	FRAMELESS TRACK
7	GLASS GASKET
8	GLASS SUPPORT BLOCK
9	#14 x 2" FLAT HEAD SCREW
10	100MM X 100MM X 9.5MM ALUMINUM BASE (4) 5/16" LAG SCREWS WITH 115MM MINIMUM THREAD LENGTH EMBEDMENT INTO WOOD OR (4) 3/8" X 4" KWIK BOLT 3 ANCHORS INTO CONCRETE AND TO POST W/ 4 #14 X 2" FLAT HEAD SCREWS INTO CHASES

DETAIL D CONCRETE ANCHORAGE

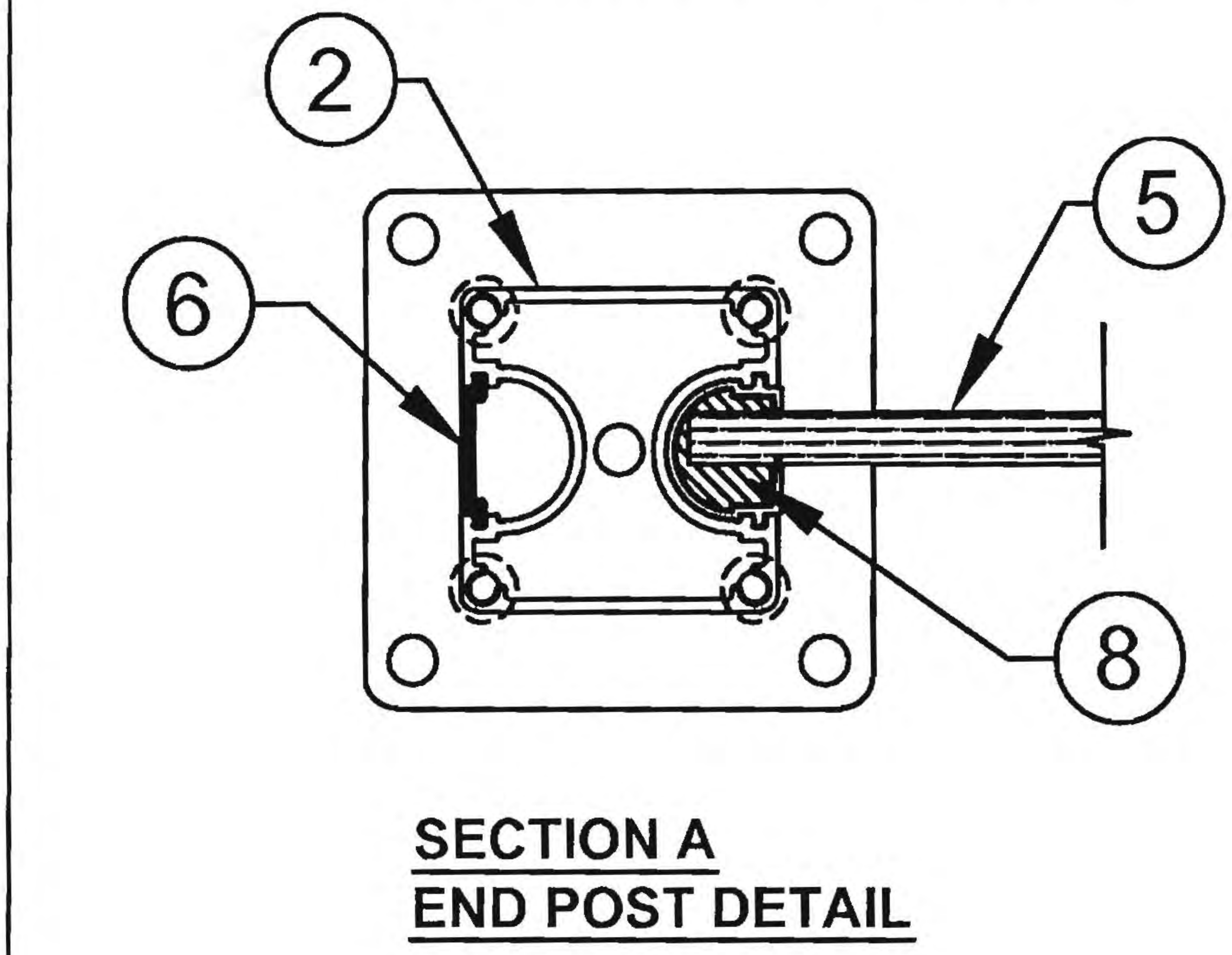


DETAIL D1 WOOD ANCHORAGE

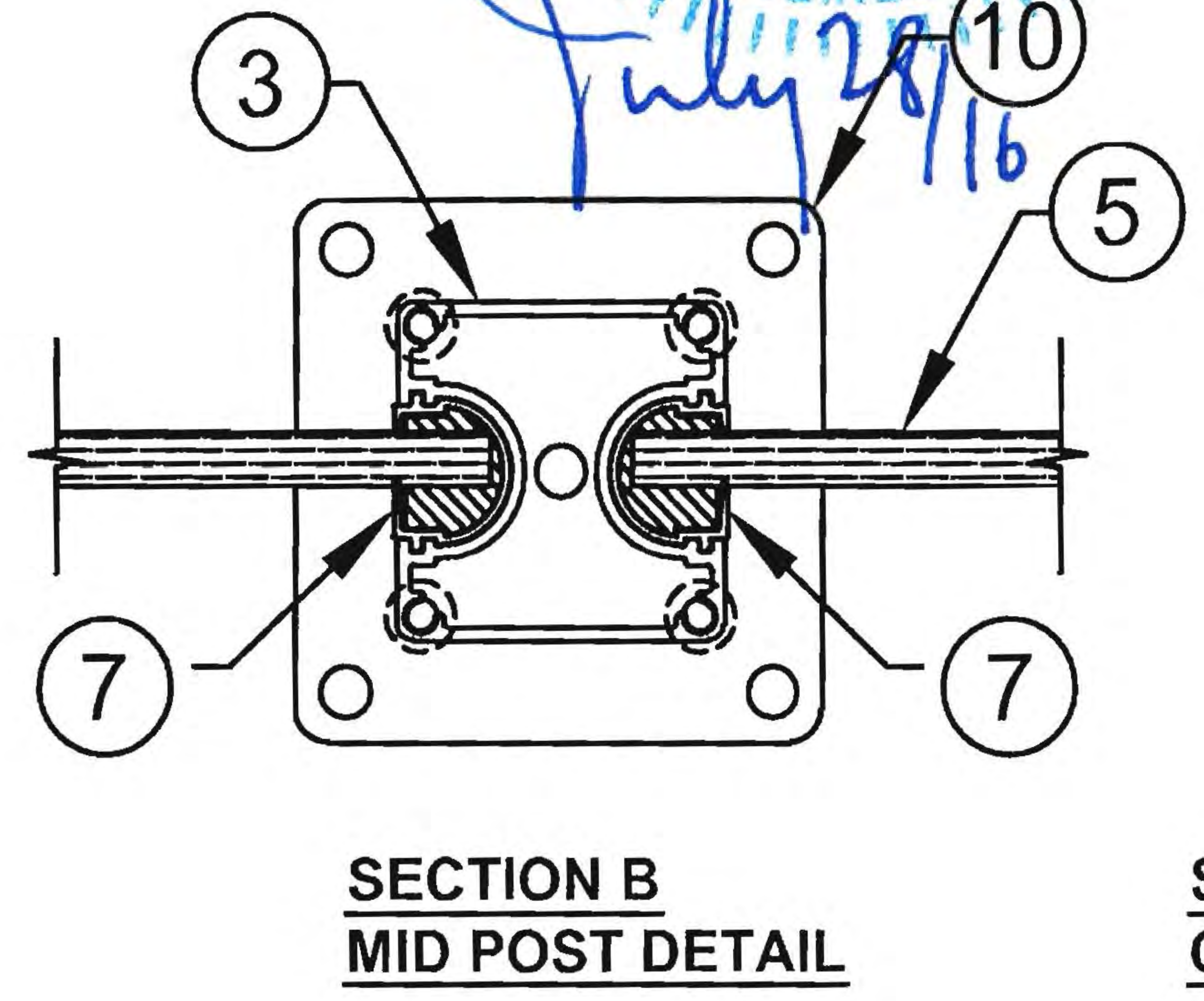


DWN BY:	Cad File Frameless Glass Railing
DATE: July 19, 2016	
CKD BY: Name	
PART NAME: 2.5" SQ Frameless Glass Railing	
EST. WEIGHT. Lbs. Kg.	

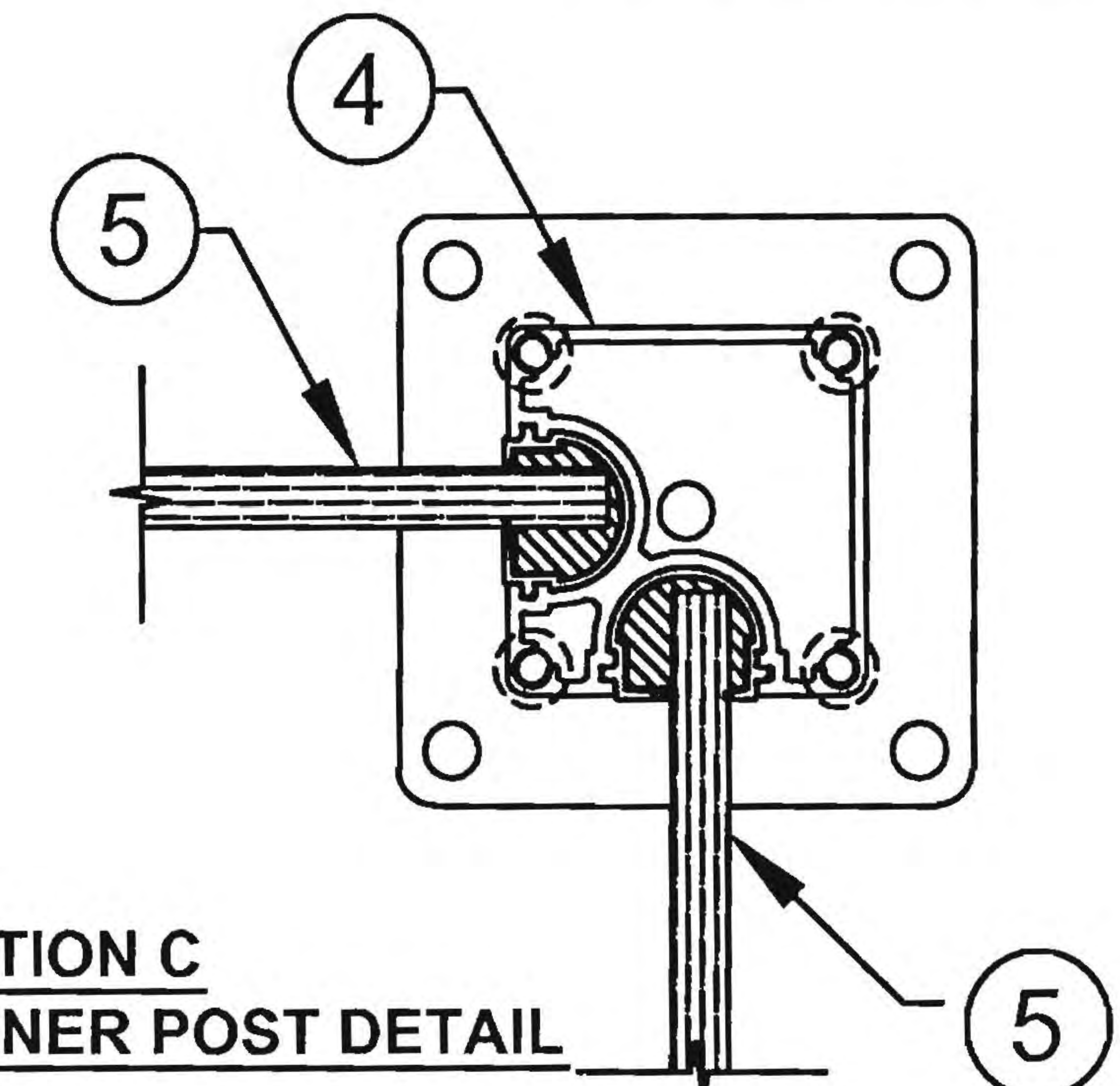
NOTE:
 (1) BUILDING GENERAL CONTRACTOR IS RESPONSIBLE FOR PROVIDING ADEQUATE BACKING IN FLOORS FOR CONNECTION OF THE ALUMINUM GUARDRAIL SYSTEM DESCRIBED IN THESE DRAWINGS. (WHEN MOUNTING TO ACQ TREATED WOOD ENSURE THAT ACQ COMPATIBLE FASTENERS ARE USED.)
 (2) THE ALUMINUM GUARDRAIL CONFIGURATION REPRESENTED ON THIS DRAWING IS IN COMPLIANCE WITH THE APPLICABLE REQUIREMENTS OF 2015 NATIONAL BUILDING CODE OF CANADA (NBC) AND 2012 ONTARIO BUILDING CODE (OBC)



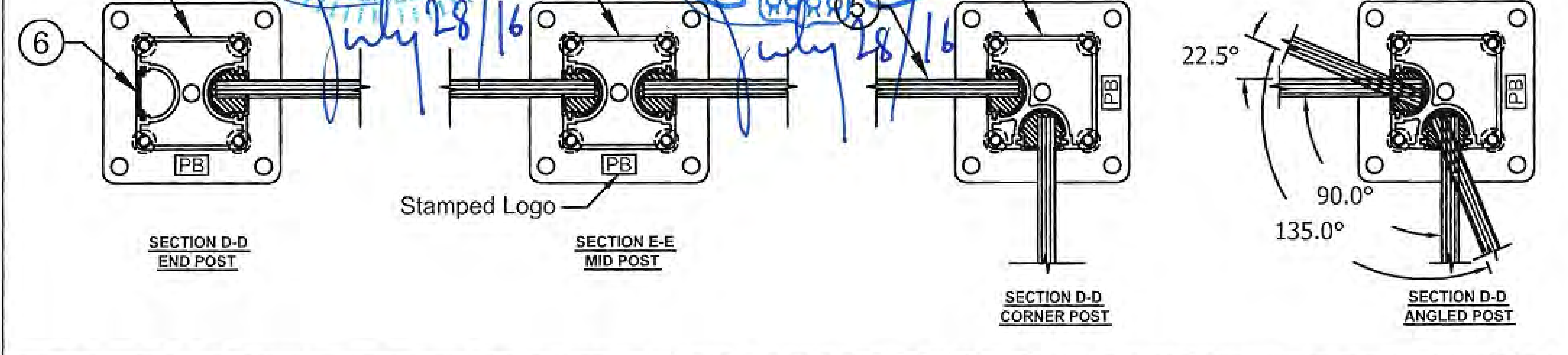
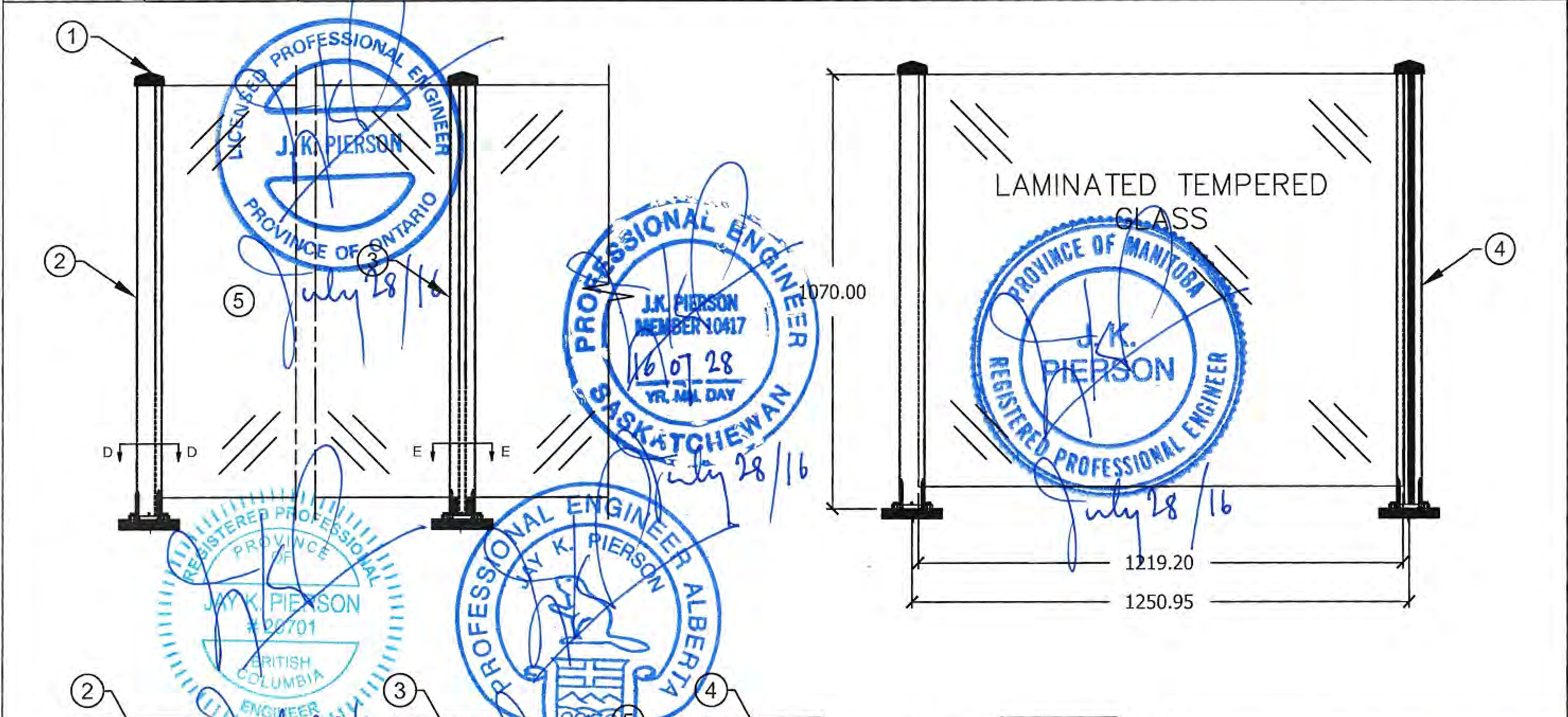
SECTION A END POST DETAIL



SECTION B MID POST DETAIL



SECTION C CORNER POST DETAIL



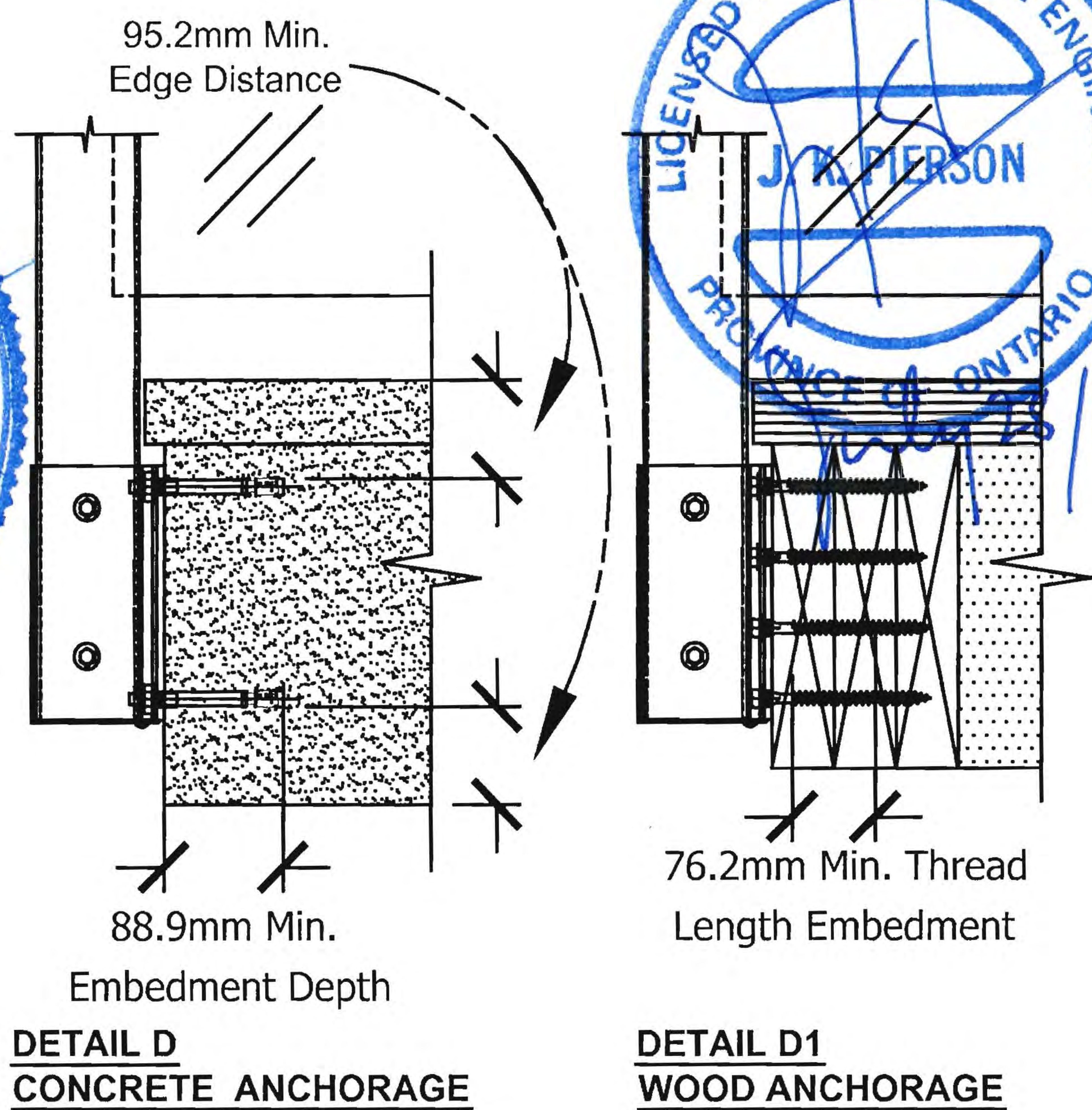
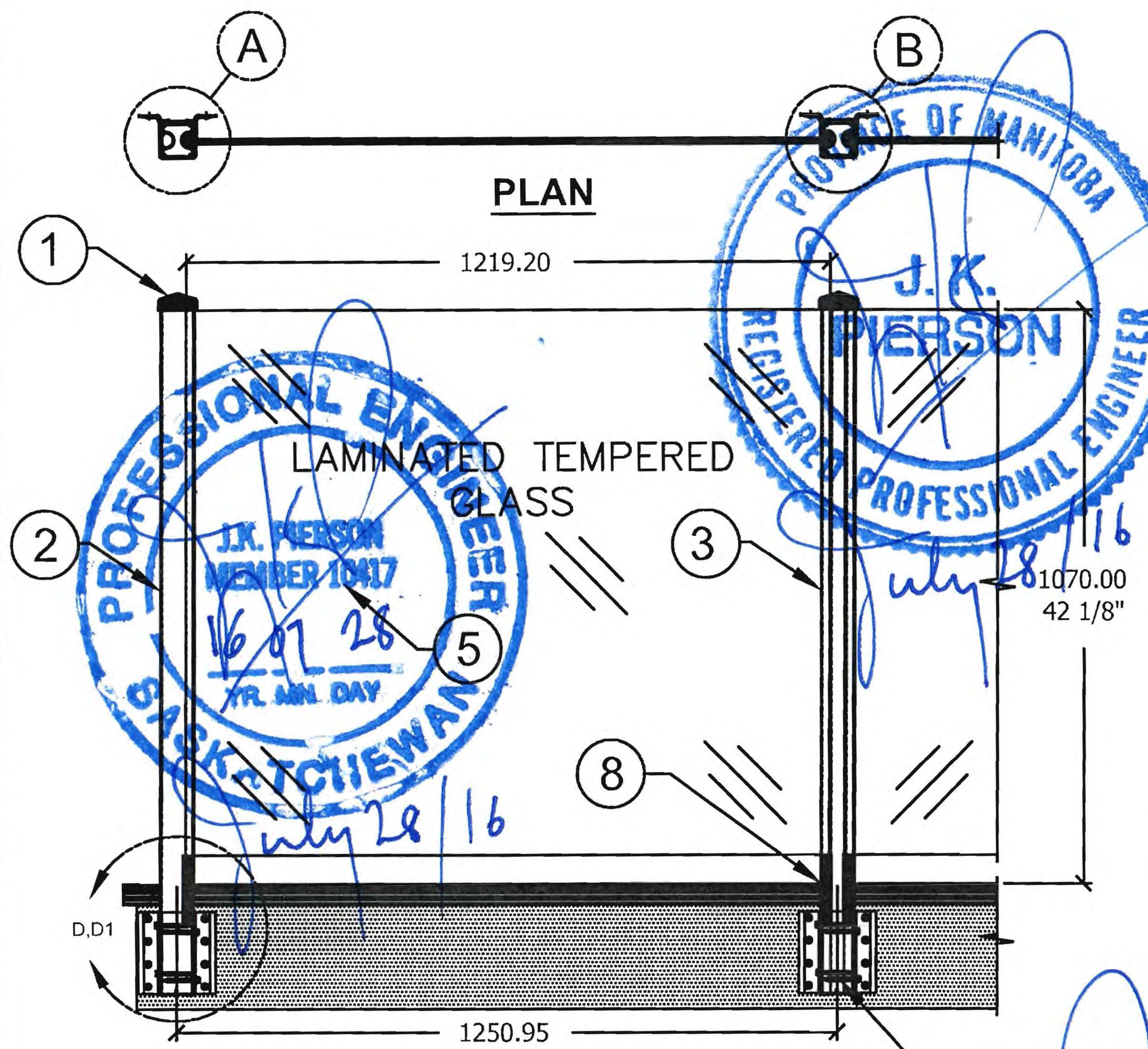
<h2>vista</h2>				
REV#	PART#	DATE:	DESCRIPTION:	APPVL.

No.	PART	BILL OF MATERIALS	Qty.	Cut Length	±	No.	PART	BILL OF MATERIALS	Qty.	Cut Length	±	No.	PART	BILL OF MATERIALS	Qty.	Rail Height	±
1	V5601	2.5" Pyramid Cast Cap	2	N/A	N/A	6	V1313	Frameless Track	1	1076.3	N/A	11					
2	PB7878	2.5" SQ Windscreen End Post	1	1076.3	N/A	7						12					
3	PB7880	2.5" SQ Windscreen Line Post	1	1076.3	N/A	8						13					
4	PB7879	2.5" SQ Windscreen 90° Post	1	1076.3	N/A	9						14					
5		48" x 40" 10mm Laminated Tempered Glass	1			10						15					

DWN BY: _____
DATE: July 19, 2016
CKD BY: Name _____
PART NAME:
2.5" SQ Frameless Glass Railing
EST. WEIGHT. Lbs. _____ Kg. _____

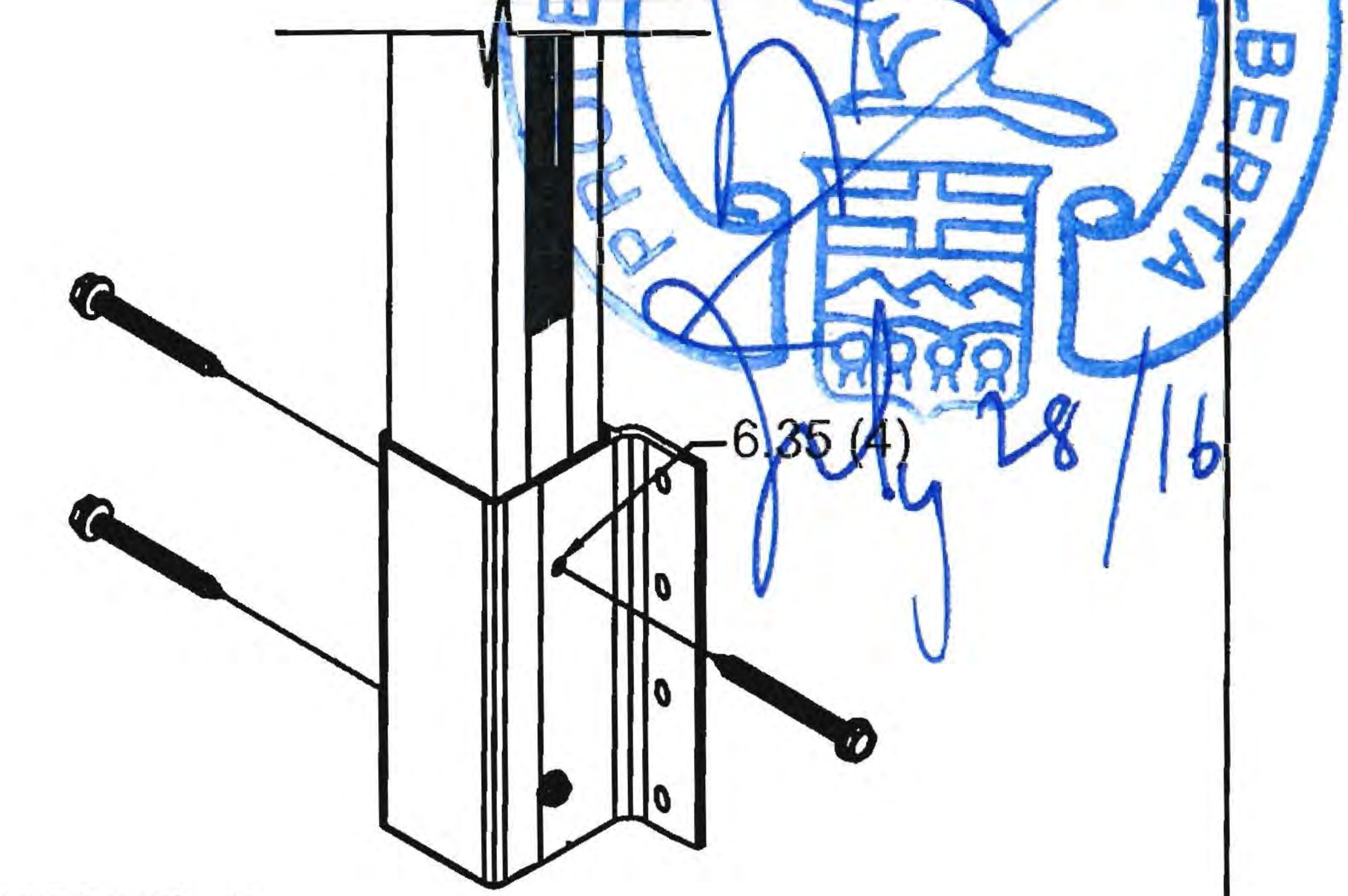
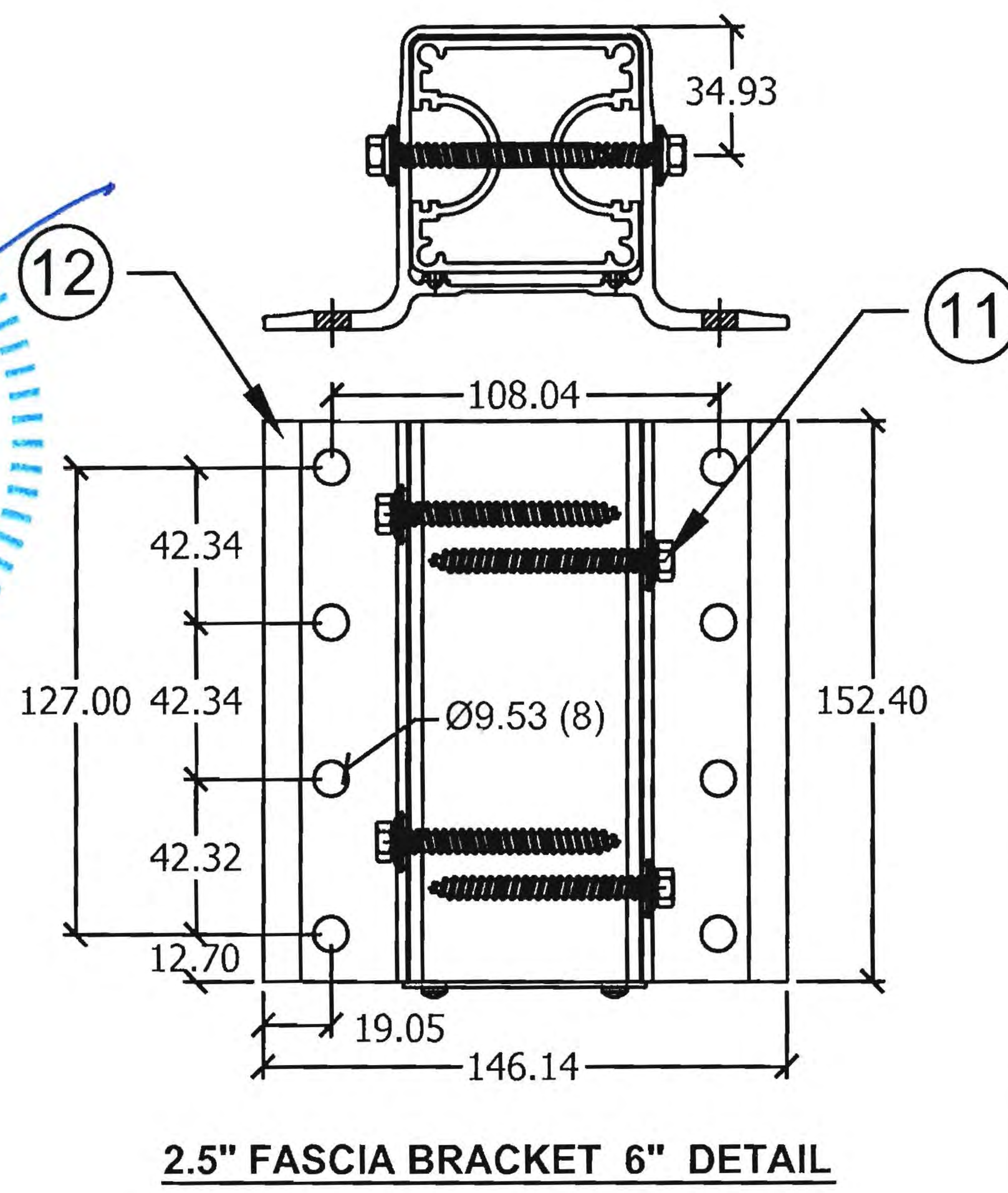
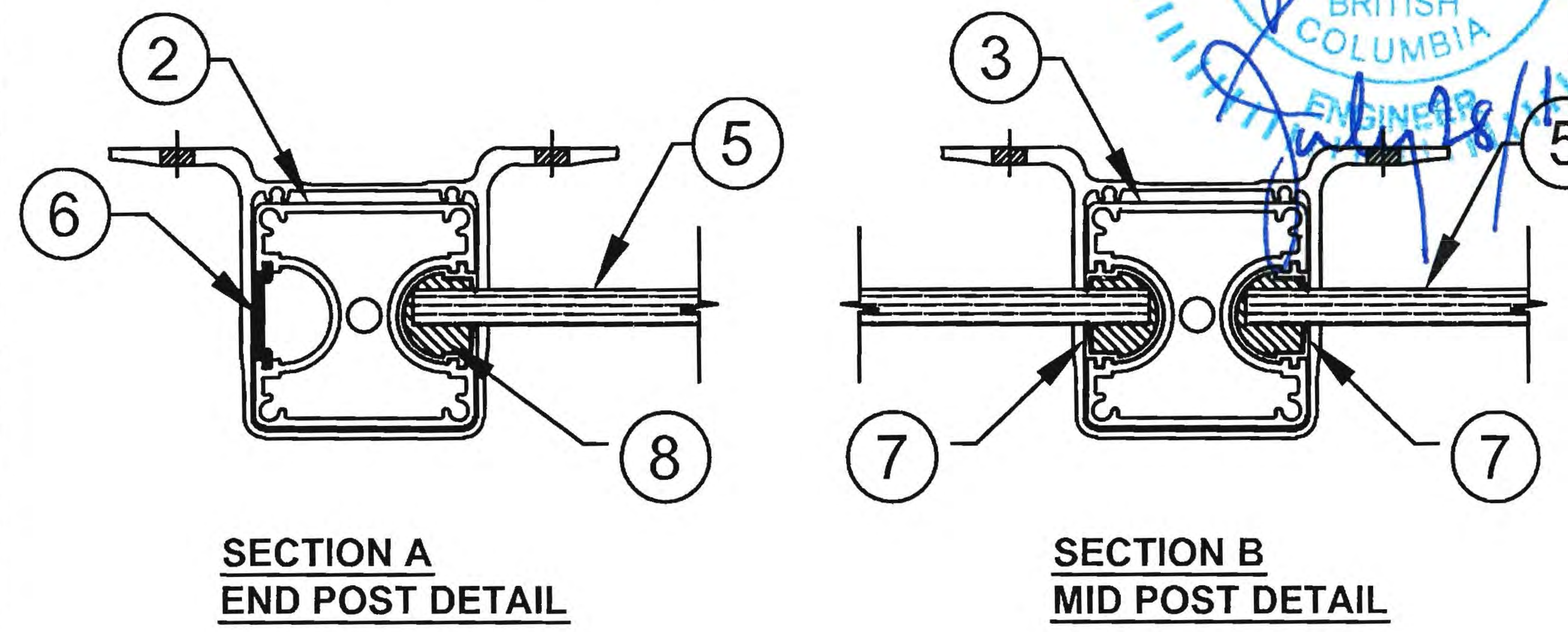
The recipient of this information hereby acknowledges and agrees that information obtained herein is proprietary to BW Creative Wood Ind. and shall not be used, disclosed and / or duplicated except in accordance with the expressed written authorization of BWC

Cad File
Frameless

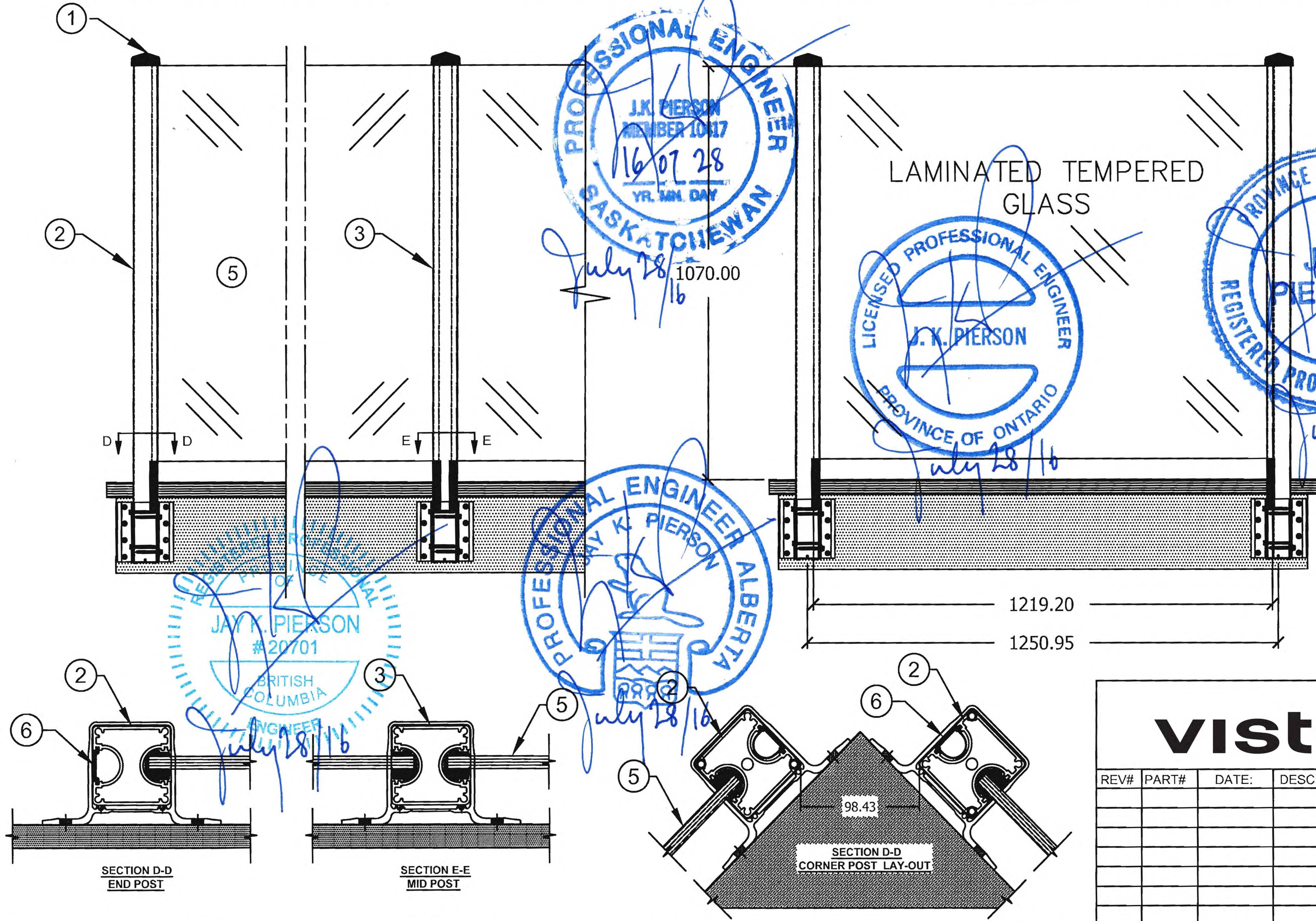


PARTS LIST	
ITEM	DESCRIPTION
1	POST CAP
2	2.5" SQ. FASCIA MOUNT END POST
3	2.5" SQ. FASCIA MOUNT LINE POST
5	10MM (3/8") LAMINATED TEMPERED GLASS
6	FRAMELESS TRACK
7	GLASS GASKET
8	GLASS SUPPORT BLOCK
11	(4) #14 x 2 1/2" Wood Screw JS 500 Coating
12	2.5" FASCIA BRACKET 6" (8) 5/16" LAG SCREWS WITH 76.2MM MIN. THREAD LENGTH EMBEDMENT INTO WOOD OR (4) 3/8" X 4" KWIK BOLT 3 ANCHORS INTO CONCRETE AND TO POST W/ 4 #14 X 2 1/2" SCREWS DT1700 COATING

NOTE:
 (1) BUILDING GENERAL CONTRACTOR IS RESPONSIBLE FOR PROVIDING ADEQUATE BACKING IN FLOORS FOR CONNECTION OF THE ALUMINUM GUARDRAIL SYSTEM DESCRIBED IN THESE DRAWINGS. (WHEN MOUNTING TO ACQ TREATED WOOD ENSURE THAT ACQ COMPATIBLE FASTENERS ARE USED.)
 (2) THE ALUMINUM GUARDRAIL CONFIGURATION REPRESENTED ON THIS DRAWING IS IN COMPLIANCE WITH THE APPLICABLE REQUIREMENTS OF 2015 NATIONAL BUILDING CODE OF CANADA (NBC) AND 2012 ONTARIO BUILDING CODE (OBC)



DWN BY:	Cad File Frameless Glass Railing
DATE: July 19, 2016	
CKD BY: Name	
PART NAME: 2.5" SQ Frameless Glass Railing	
EST. WEIGHT: Lbs. Kg.	



REV#	PART#	DATE:	DESCRIPTION:	APPVL.

DWN BY: _____

DATE: July 19, 2016

CKD BY: Name _____

PART NAME:

2.5" SQ Frameless Glass Railing

EST. WEIGHT: Lbs. _____ Kg. _____

No.	PART	BILL OF MATERIALS	Qty.	Cut Length	±	No.	PART	BILL OF MATERIALS	Qty.	Cut Length	±	No.	PART	BILL OF MATERIALS	Qty.	Cut Length	±
1	V5601	2.5" Pyramid Cast Cap	2		N/A	6	V1313	Frameless Track	1	1289.1	N/A	11					
2	PB7781	2.5" SQ Frameless End Post	1	1289.1	N/A	7						12					
3	PB7782	2.5" SQ Frameless Line Post	1	1289.1	N/A	8						13					
4						9						14					
5		48" x 40" 10mm Laminated Tempered Glass				10						15					

The recipient of this information hereby acknowledges and agrees that information obtained herein is proprietary to BW Creative Wood Ind. and shall not be used disclosed and / or duplicated except in accordance with the expressed written authorization of BWC

Cad File
Frameless